



REV	DATE	RELEASED REVISION	DWN
A	01/07/2013	RELEASED	-
-	-	-	-
-	-	-	-

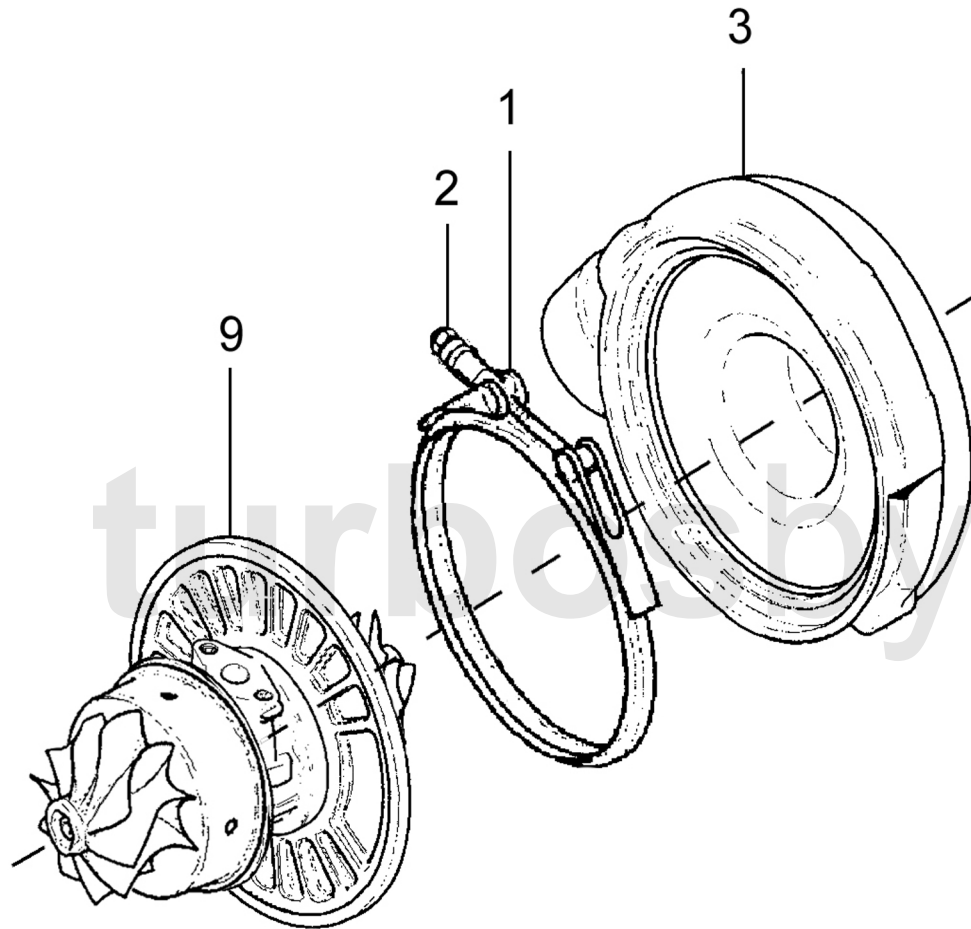
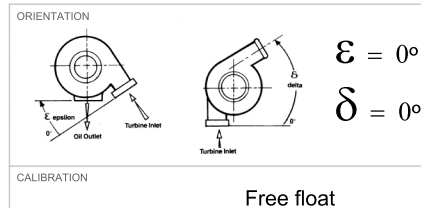


Fig	Description	Part number
-----	-------------	-------------

- | | | |
|----|---------------------|-------------|
| 1 | ·V clamp | 446401-0795 |
| 2 | ·Nut | 400515-0212 |
| 3 | ·Compressor housing | |
| 18 | ·Speed sensor cap | 871104-0001 |
| 19 | ·Bolt speed s. cap | 400674-0516 |
| 4 | ·O Ring | 403069-0265 |
| 9 | ·C.H.R.A. | |
| 14 | ·Water fitting x 2 | 872902-0001 |
| 3 | ·Washer x 4 | 444657-0006 |
| 5 | ·O-ring | 403069-0242 |



Note: Illustration for reference only, may not resemble actual part.



TITLE		GXR45-73	
SIZE	PART NO.	REV	
A	934173-5004S	A	
DRAWN:	DATE:	CHECKED:	SHEET: 1 OF 1
ACS	10/10/2024		