



REV	DATE	RELEASED REVISION	DWN
A	01/07/2013	RELEASED	-
-	-	-	-
-	-	-	-

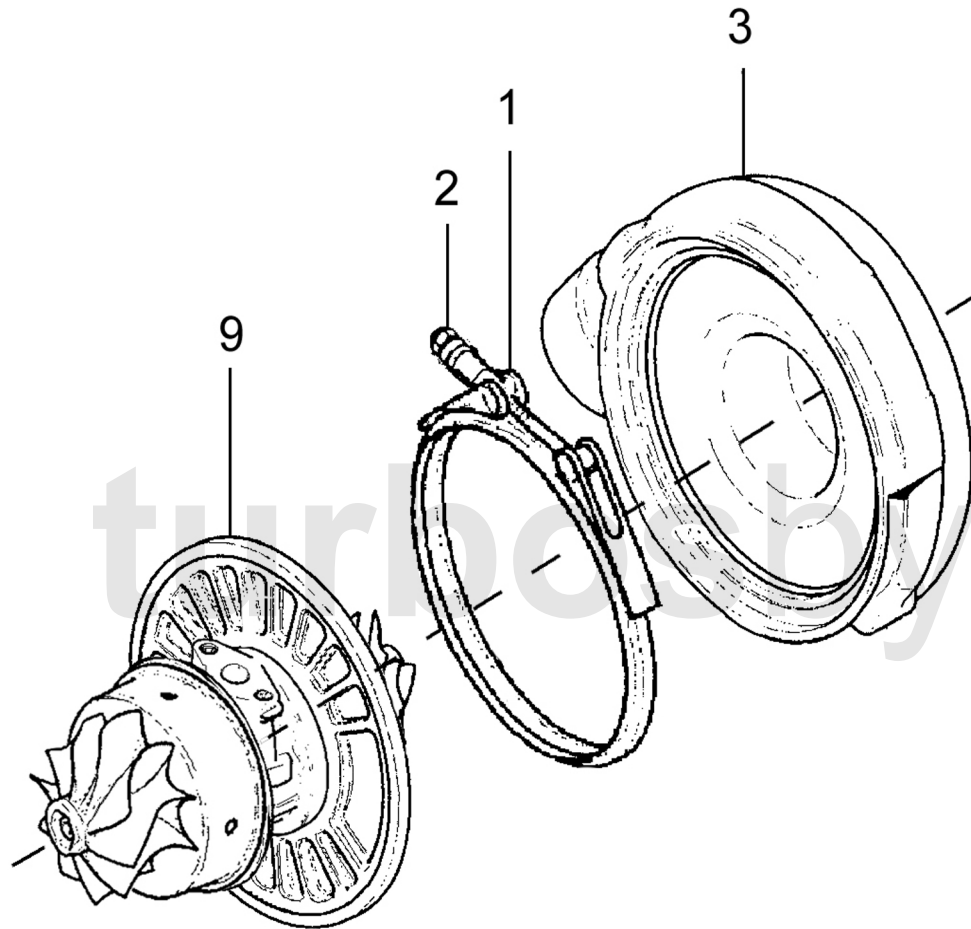
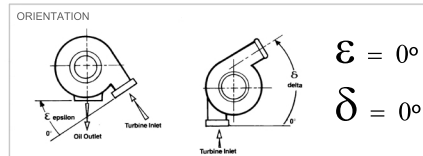


Fig Description Part number

1	·V clamp	446401-0795
2	·Nut	400515-0212
3	·Compressor housing	
18	·Speed sensor cap	871104-0001
19	·Bolt speed s. cap	400674-0516
4	·O Ring	403069-0265
9	·C.H.R.A.	
14	·Water fitting x 2	872902-0001
3	·Washer x 4	444657-0006
5	·O-ring	403069-0242



CALIBRATION Free float

Note: Illustration for reference only, may not resemble actual part.



TITLE		GXR42-72	
SIZE	PART NO.	REV	
A	934173-5002S	A	
DRAWN:	DATE:	CHECKED:	SHEET: 1 OF 1
ACS	10/10/2024		