



REV	DATE	RELEASED REVISION	DWN
A	01/07/2013	RELEASED	-
-	-	-	-
-	-	-	-

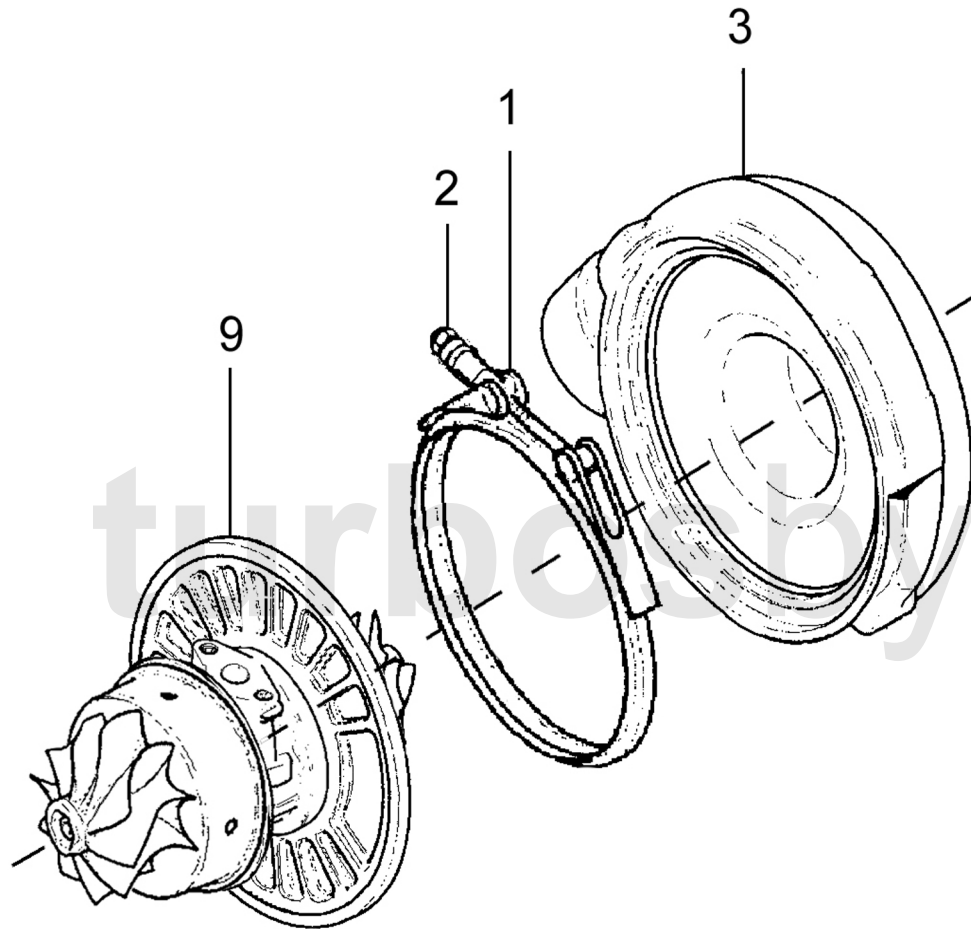
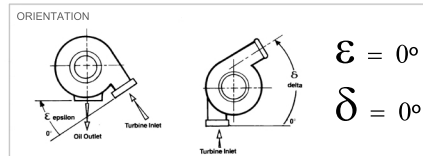


Fig	Description	Part number
-----	-------------	-------------

- |    |                     |             |
|----|---------------------|-------------|
| 1  | ·V clamp            | 446401-0795 |
| 2  | ·Nut                | 400515-0212 |
| 3  | ·Compressor housing |             |
| 18 | ·Speed sensor cap   | 871104-0001 |
| 19 | ·Bolt speed s. cap  | 400674-0516 |
| 4  | ·O Ring             | 403069-0265 |
| 9  | ·C.H.R.A.           |             |
| 14 | ·Water fitting x 2  | 872902-0001 |
| 3  | ·Washer x 4         | 444657-0006 |
| 5  | ·O-ring             | 403069-0242 |



CALIBRATION Free float

Note: Illustration for reference only, may not resemble actual part.



TITLE		<b>GXR42-68</b>	
SIZE	PART NO.	REV	
A	934173-5001S	A	
DRAWN:	DATE:	CHECKED:	SHEET: 1 OF 1
ACS	10/10/2024		